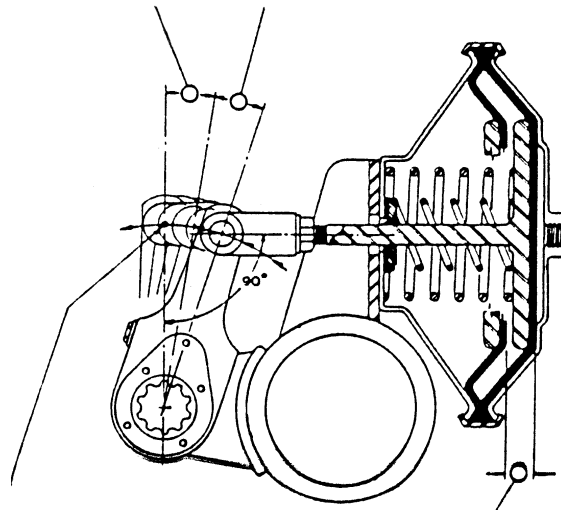


WAC 204-76-99004 Relationship of push rod and slack adjuster angle to brake force. The following diagram shows the relationship of push rod and slack adjuster angle to brake force:

RESULT
EVEN TORQUE (BRAKE INPUT)
BETWEEN BRAKE ADJUSTMENTS

<p>*LAST HALF OF CAM ROTATION* LEVERAGE INCREASING TO THE MAXIMUM AND BRAKE CHAMBER EFFICIENCY DECREASING WITH LENGTH OF STROKE.</p>	<p>*FIRST HALF OF CAM ROTATION* BRAKE CHAMBER EFFICIENCY IS MAXIMUM AND LEVERAGE IS MINIMUM AT BEGINNING OF STROKE. LEVERAGE INCREASES WITH THE INCREASED MOVEMENT.</p>
--	---



<p>POINT OF GREATEST LEVERAGE MOVEMENT PAST THIS POINT RESULTS IN LESS LEVERAGE, REDUCED INPUT AND LOWER BRAKE EFFICIENCY.</p>	<p>*FIRST HALF OF RATED TRAVEL* BRAKE CHAMBER IS AT THE MAXIMUM EFFICIENCY.</p>
--	---

[Statutory Authority: RCW 46.37.005. WSR 14-03-018, § 204-76-99004, filed 1/7/14, effective 2/7/14; WSR 80-10-006 (Order 80-07-01), § 204-76-99004, filed 7/25/80.]